

## VR12000 WINCH

**Part Number:** 86260

**Rated Line Pull:** 12000 lbs. (5443 kgs)

**Motor:** 12V DC, Series Wound

**Controls:** Remote switch, 12" (3.7m) Lead

**Gear train:** 3-Stage Planetary

**Gear Ratio:** 216

**Clutch (Freespool):** Sliding Ring Gear

**Brake:** Automatic Direct Drive Cone

**Drum diameter/length:** 2.5"/9.0" (6.4cm/23cm)

**Kit Shipping Weight:** 89 lbs. (40.4 kgs)

**Rope:** Wire rope,  $\varnothing$  3/8" x 94' ( $\varnothing$  10mm x 29m)

**Fairlead:** Roller

**Recommended Battery:** 650CCA Minimum for winching

**Duty Cycle:** Intermittent

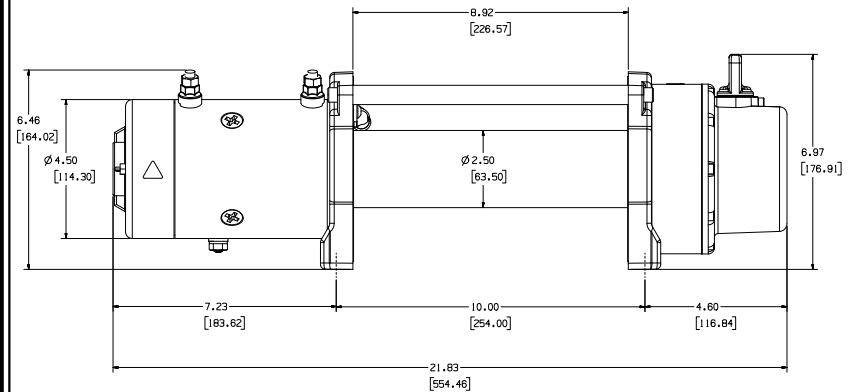
**Battery leads:** 2 gauge, 72" (1.83m)

**Finish:** Black Powder Coat

**Warranty:** Limited Lifetime

**Mounting Bolt Pattern:** 10.0" x 4.5" (254mm x 114.3mm)

**Winch Dimensions:** 21.83" L x 6.3" D x 6.97" H (554mm L x 160mm D x 177mm H)



## SERVICE INSTRUCTIONS

Should you encounter a problem during installation or operation of your winch, please follow these steps toward resolving the problem:

1. Refer to your operator's guide and installation instructions. It has illustrations and detailed information on the installation and safe and proper operation of your winch. It also includes a replacement parts list and assembly diagrams. If you are unable to resolve the problem, then go to step 2.
2. Contact your dealer where you purchased your winch. If, after discussing the problem with their parts and service staff, you are still unable to resolve the problem then go to step 3.
3. Call an Authorized WARN Service center from the list provided on the back of the warranty sheet included with the product. When calling, please have the following information available: winch model number and purchase date, make, model and year of vehicle.
4. If you are unable to resolve the problem to your satisfaction, please call Warn Industries Customer Service at: 1-800-543-9276. When calling, please have the following information available: winch model number and purchase date, make, model and year of vehicle. You may also contact Warn Industries by visiting our website: [www.warn.com](http://www.warn.com)

## SERVICE/UPGRADE KITS

KIT#	PN	ITEM	QTY	DESCRIPTION
KIT 1	92083			END HOUSING KIT
		1	1	END HOUSING
		2	1	CLUTCH LEVER
		3	1	SEAL, O-RING
		4	1	CLUTCH LEVER DETENT SCREW
		5	1	RING GEAR, SLIDING
		6	10	CAPSCREW, 10-24
		7	1	GASKET
		8	1	THRUST WASHER
KIT 2	92077			DRUM SUPPORT KIT
		21	1	GEAR SIDE DRUM SUPPORT
		22	1	MOTOR SIDE DRUM SUPPORT
		23	2	BUSHING
KIT 3	86473			TIE ROD KIT
		24	2	TIE ROD
		25	4	5/16" BOLTS

KIT#	PN	ITEM	QTY	DESCRIPTION
KIT 4	92081			RING GEAR KIT
		7	1	GASKET
		13	1	CARRIER ASSEMBLY, STAGE 3
		14	1	RING GEAR
		33	1	SPLINED DRIVE GEAR
KIT 5	92087			CARRIER KIT
		10	1	SUN GEAR
		11	1	CARRIER ASSEMBLY, STAGE 1
		12	1	CARRIER ASSEMBLY, STAGE 2
		32	1	SHAFT, DRIVE
KIT 6	32455			BRAKE KIT
		30	1	COUPLER
		31	1	BRAKE
		32	1	SHAFT, DRIVE
		33	1	SPLINED DRIVE GEAR
KIT 7	86537			MOTOR KIT
		40	1	MOTOR
		45	1	SPACER
		54	1	GROUND BOLT
KIT 8	92075			CONTROL PACK KIT
		60	1	CONTROL PACK
		62	1	SOLENOID
		65	1	BRACKET
KIT 9	92067			BOLT AND GASKET KIT
		6	10	CAPSCREW, 10-24
		7	2	GASKET
		8	1	THRUST WASHER
		23	2	BUSHING
		25	4	5/16" BOLTS
		54	1	GROUND BOLT
		55	1	PARTS PACK
KIT 10	92036			LABEL KIT
INDIVIDUAL ITEMS				
		26107	26	DRUM ASSEMBLY
		86515	27	WIRE ROPE ASSEMBLY
		79626	28	TERMINAL KIT
		15901	53	GROUND CABLE
		90172	65	BRACKET
		38626	68	REMOTE ASSEMBLY
		5742	80	FAIRLEAD, ROLLER